

NAH-MF SERIES - R410A

Multi-Family Style Air Handler

Go Thru-the-Wall

**NATIONAL
COMFORT
PRODUCTS**

HEATING & A/C EQUIPMENT



Thru-the-Wall Comfort for all types of Multi-Family Construction

Features

- Available in 2 ton and 2.5 ton options to cover 1.5 to 2.5 ton capacity systems
- 208/230 - 1~ - 60 supply voltage
- Accessory field-installed electric heat kits available in 3, 5, 7, 10 or 15kW
- Cabinet exterior of galvanized sheet metal
- Fully insulated for conditioned space
- Left and right hand options

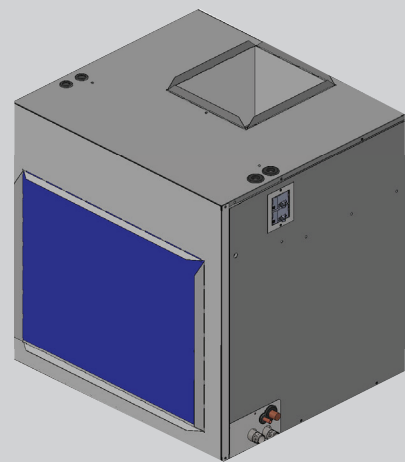
Performance

- ECM motor on all models
- Motor suspended on rubber grommets for quieter operation
- Adjustable R-410A TXV standard
- Multi Family Style achieves optimum efficiency with all NCP Condensing Units and NHP Heat Pumps

Easy to install and service

- All service access is located in the front
- Primary and secondary drain connections
- Units fit above matched thru the wall condensing units, heat pumps and certain water heaters
- No return-air ductwork required in specific applications
- Wall hanging brackets included

Multi-Family Style Air Handler



NAH-MF Series

Matched with All NCP Condensing Units
& NHP Heat Pumps

**NATIONAL
COMFORT
PRODUCTS**
HEATING & A/C EQUIPMENT

National Comfort Products

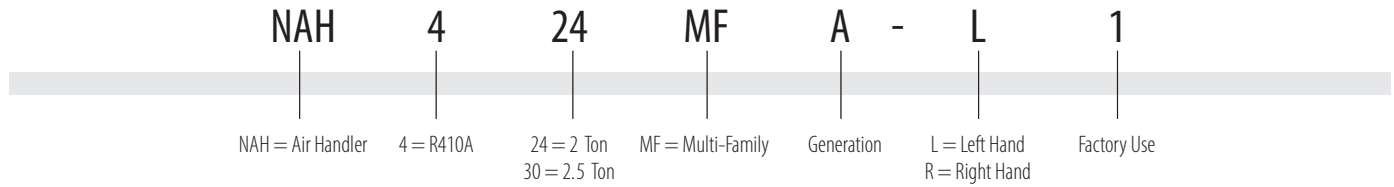
A Division of National Refrigeration and Air Conditioning Products, Inc.

539 Dunksferry Road • Bensalem, PA 19020-5908

(800) 523-7138 • Fax (215) 639-1674

www.NationalComfortProducts.com

Nomenclature 2023



Performance Data

Model	Nominal Capacity (Btu/h)	Size (tons)	Nominal Air Flow ¹ (CFM)		Motor HP	Motor RPM	FLA	MCA	MOP	Filter Size
NAH424MF*-L*	24,000	2 Ton	700	1080	1/2	1200	3.9	5	15	24" x 20"
NAH424MF*-R*										
NAH430MF*-L*	30,000	2.5 Ton								
NAH430MF*-R*										
Flow Control	Bi-flow Adjustable TXV						Line Size		3/8" & 3/4"	

1. The nominal airflow range is given at 0.1" ESP

Electrical Data

Blower Motor Amps		Heater Model	Heating Btuh		Heating kW		Heater Amps		MCA (Min. Circuit Ampacity)		Max Fuse or Breaker Size	
230V	208V		230V	208V	230V	208V	230V	208V	230V	208V	230V	208V
3.8	3.9	None	0	0	0	0	0	0	5	5	15	15
		CPEHK-03-A	8,900	10,900	2.62	3.20	12.60	13.91	20.6	22.1	25	25
		CPEHK-05-A	13,100	16,000	3.83	4.68	18.41	20.35	27.9	30.2	30	35
		CPEHK-07-A	18,400	22,400	5.37	6.58	25.82	28.61	37.2	40.5	40	45
		CPEHK-10-A	26,000	32,000	7.64	9.35	36.73	40.65	50.8	55.6	60	60
		CPEHK-15-A	39,200	47,800	11.47	14.02	36.76	40.64	49.2	54.0	50	60
						18.38	20.32	26.2	28.6	30	30	

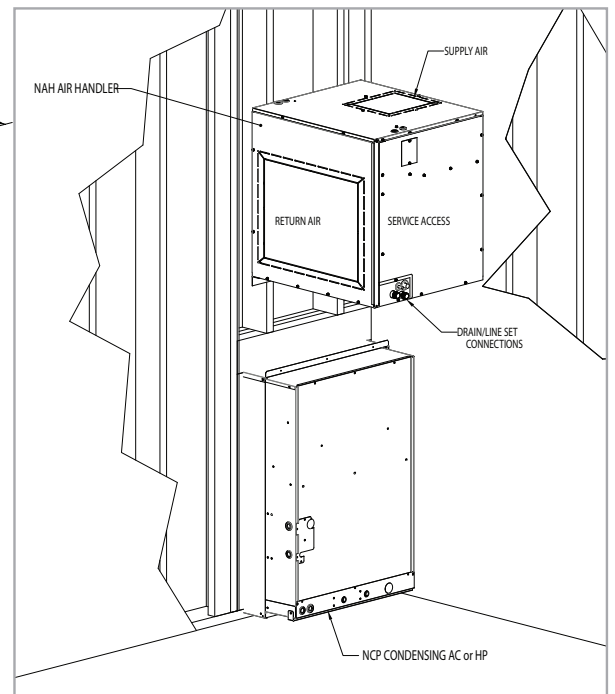
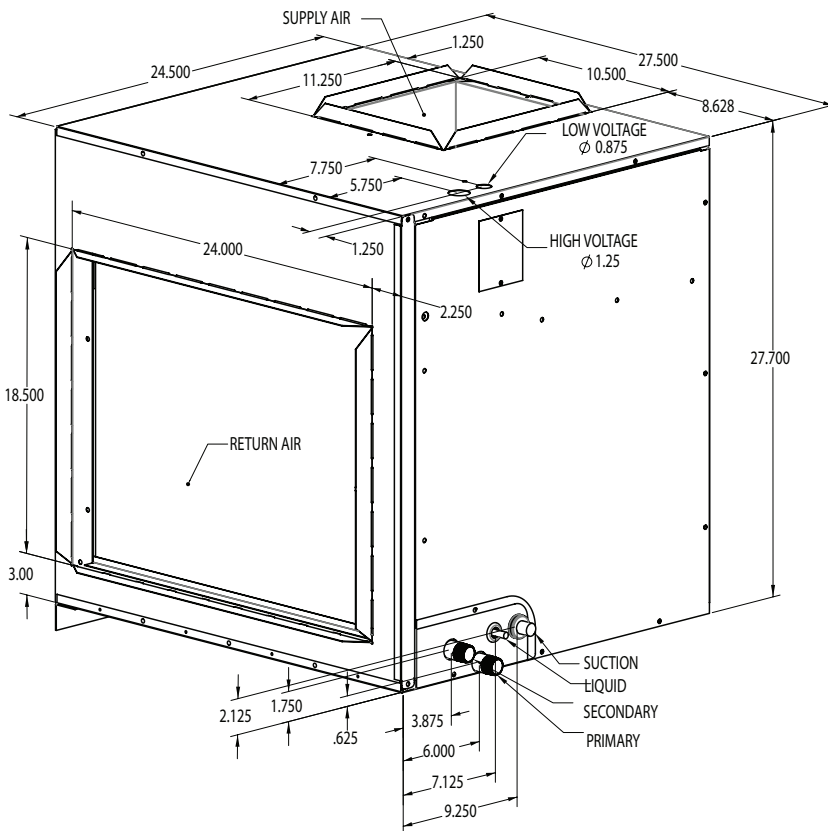
Air Flow Data

Model Size	Blower Speeds	Standard CFM					
		0 in. wc.	0.1 in. wc.	0.2 in. wc.	0.3 in. wc.	0.4 in. wc.	0.5 in. wc.
NAH424MF*-L* NAH424MF*-R* NAH430MF*-L* NAH430MF*-R*	Orange (Low)	753	707	655	596	529	455
	Black (Med. Low)	796	758	711	656	592	519
	Blue (Med.)	982	944	903	860	815	769
	Yellow (Med. High)	1085	1046	1007	968	929	890
	Red (High)	1115	1079	1042	1004	965	926

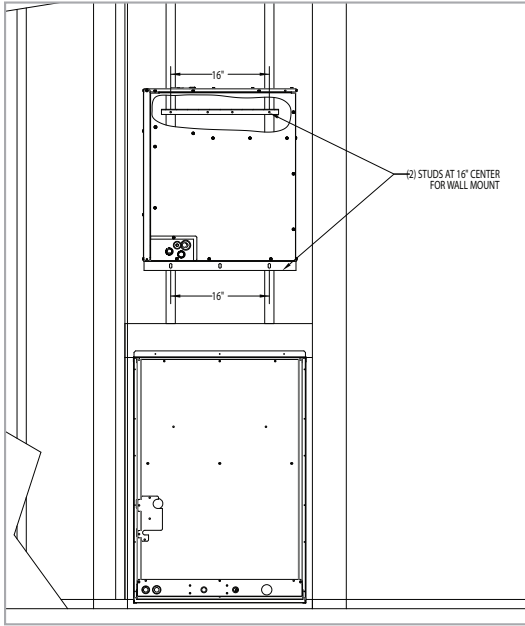
Operating Range

Model	Voltage-phase-Hz	Voltage Operating Range	
		Min.	Max
NAH424MF*-L*	208/230 - 1~ - 60	187	253
NAH424MF*-R*			
NAH430MF*-L*			
NAH430MF*-R*			

Unit Dimensions



Unit Dimensions



**NATIONAL
COMFORT
PRODUCTS**

HEATING & A/C EQUIPMENT

National Comfort Products

A Division of National Refrigeration and Air Conditioning Products, Inc.

539 Dunksferry Road • Bensalem, PA 19020-5908
(800) 523-7138 • Fax (215) 639-1674

www.NationalComfortProducts.com



Intertek



All specifications are subject to change without notice.

NAH Multi-Family Style Air Handler 10/2022