

# NCP SPLIT SYSTEM SERIES

1000 | 3000 | 4000 | 5000

*Go Thru-the-Wall*

**NATIONAL  
COMFORT  
PRODUCTS**

HEATING & A/C EQUIPMENT



*Thru-the-Wall Comfort for all types of Multi-Family Construction*

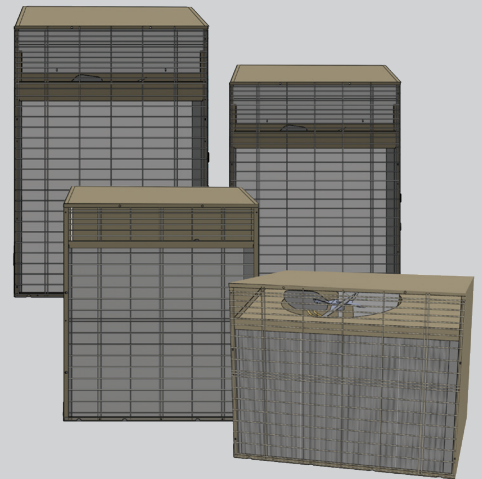
### Features

- Units are compatible with NCP Air Handlers, Coils or certain other air handlers with ECM motors
- Available in 1.5 to 2.5 ton sizes
- Heavy-duty water resistant cabinet
- R-410A high efficiency compressor
- Easy access to condenser fan
- High efficiency condenser fan motor
- High efficiency condenser coil
- Brass services valves

### Why Thru-the Wall?

- Easily serviced in any weather
- Less expensive installations
- Ground clutter elimination
- No theft or vandalism
- Less refrigerant charge
- No roof penetration
- Short copper tube runs
- Separate meter savings
- Better appearance

## THRU THE WALL SPLIT SYSTEM CONDENSING UNITS



NCP Split System Series  
1000 | 3000 | 4000 | 5000

Meets All  
2023 DOE Requirements

**NATIONAL  
COMFORT  
PRODUCTS**

HEATING & A/C EQUIPMENT

### National Comfort Products

*A Division of National Refrigeration and Air Conditioning Products, Inc.*

539 Dunksferry Road • Bensalem, PA 19020-5908

(800) 523-7138 • Fax (215) 639-1674

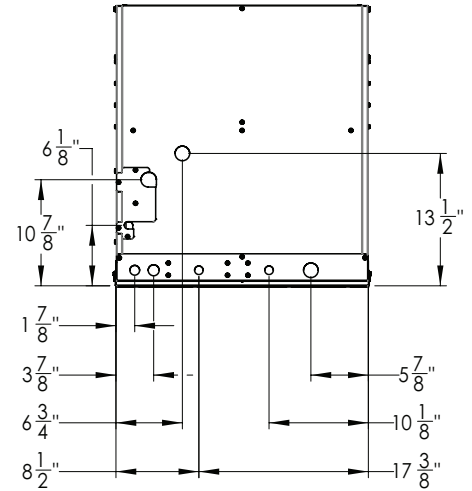
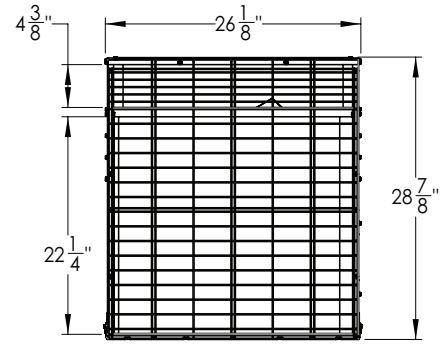
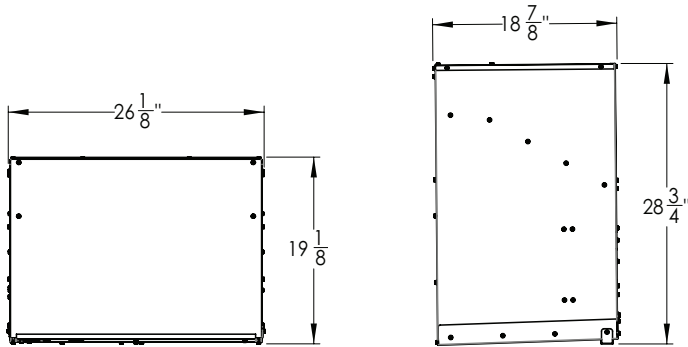
[www.NationalComfortProducts.com](http://www.NationalComfortProducts.com)



### 1000 Series w/ matches up to 12.5 SEER2\*

| All Units 208/230-1~60Hz |                       |  |               |                           |     |
|--------------------------|-----------------------|--|---------------|---------------------------|-----|
| Model                    | Shipping weight (lbs) | Compressor                             |               | MCA                       | MOP |
|                          |                       | RLA                                    | LRA           |                           |     |
| NCP4181000A-**-          | 160                   | 10.3                                   | 45.7          | 14.20                     | 20  |
| NCP4241000A-**-          | 165                   | 11.7                                   | 59.5          | 15.90                     | 25  |
| NCP4301000A-**-          | 170                   | 12.8                                   | 65            | 17.80                     | 30  |
| Cond. Fan Motor Specs    |                       | 418/424                                |               | 1/4 HP, 1600 RPM, 1.3 FLA |     |
|                          |                       | 430                                    |               | 1/5 HP, 1650 RPM, 1.8 FLA |     |
| Condenser Coil Specs     |                       | 3.61 ft <sup>2</sup> Face Area, 16 FPI |               |                           |     |
| Dimensions               |                       | 26 1/4" W x 28 5/8" H x 18 1/2" D      |               |                           |     |
| Liquid Valve             |                       | 3/8"                                   | Suction Valve | 3/4"                      |     |

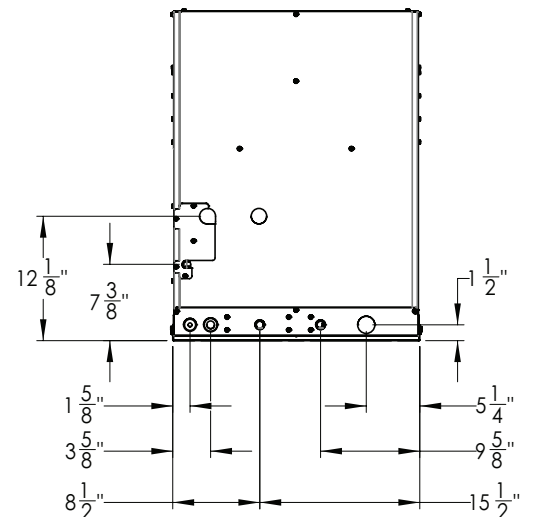
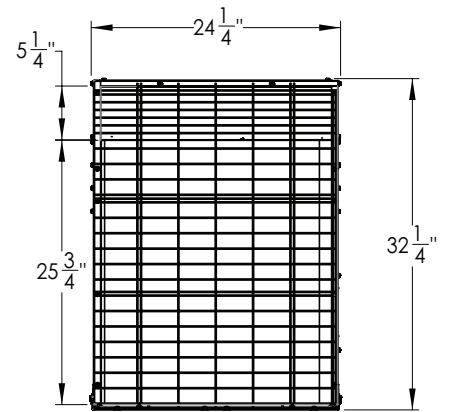
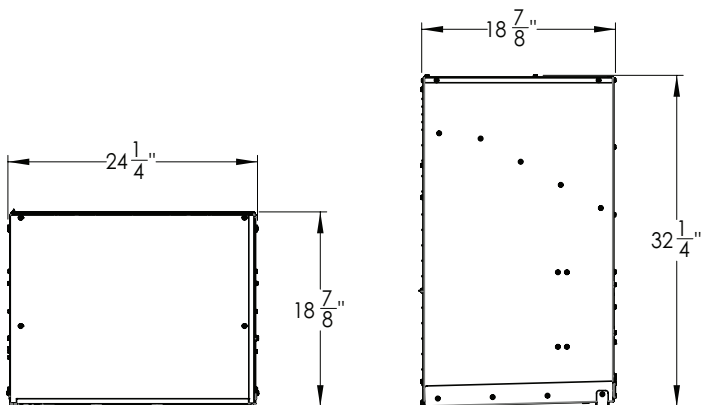
\*When matched with NAH4\*\*MF Air Handler



### 3000 Series w/ matches up to 12.5 SEER2\*

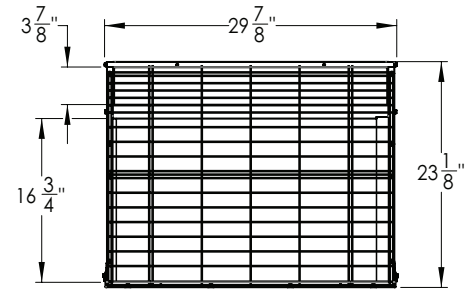
| All Units 208/230-1~60Hz |                       |  |               |                           |     |
|--------------------------|-----------------------|--|---------------|---------------------------|-----|
| Model                    | Shipping weight (lbs) | Compressor                             |               | MCA                       | MOP |
|                          |                       | RLA                                    | LRA           |                           |     |
| NCP4183000A-**-          | 160                   | 10.3                                   | 45.7          | 14.20                     | 20  |
| NCP4243000A-**-          | 165                   | 11.7                                   | 59.5          | 15.90                     | 25  |
| NCP4303000A-**-          | 170                   | 12.8                                   | 65            | 17.80                     | 30  |
| Cond. Fan Motor Specs    |                       | 418/424                                |               | 1/4 HP, 1600 RPM, 1.3 FLA |     |
|                          |                       | 430                                    |               | 1/5 HP, 1650 RPM, 1.8 FLA |     |
| Condenser Coil Specs     |                       | 3.77 ft <sup>2</sup> Face Area, 16 FPI |               |                           |     |
| Dimensions               |                       | 24 1/8" W x 32" H x 18 1/2" D          |               |                           |     |
| Liquid Valve             |                       | 3/8"                                   | Suction Valve | 3/4"                      |     |

\*When matched with NAH4\*\*MF Air Handler

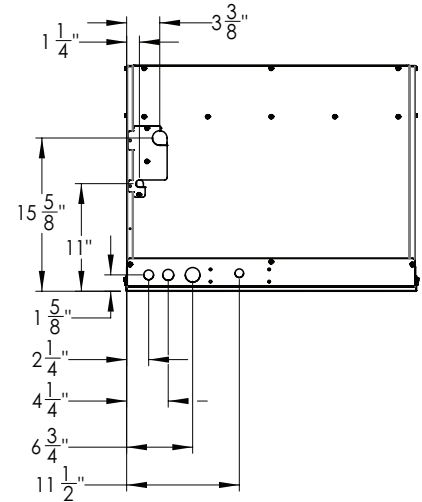
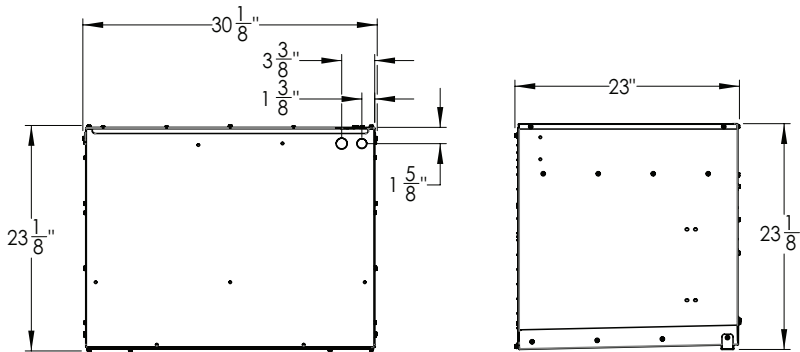


### 4000 Series w/ matches up to 12.5 SEER2\*

| All Units 208/230-1~60Hz |                       |                            |               |       |     |
|--------------------------|-----------------------|----------------------------|---------------|-------|-----|
| Model                    | Shipping weight (lbs) | Compressor                 |               | MCA   | MOP |
|                          |                       | RLA                        | LRA           |       |     |
| NCP4184000A-**           | 160                   | 10.3                       | 45.7          | 14.70 | 20  |
| NCP4244000A-**           | 170                   | 11.7                       | 59.5          | 16.40 | 25  |
| Cond. Fan Motor Specs    |                       | 1/5 HP, 1650 RPM, 1.8 FLA  |               |       |     |
| Condenser Coil Specs     |                       | 3.14 ft² Face Area, 16 FPI |               |       |     |
| Dimensions               |                       | 30" W x 23" H x 22 1/2" D  |               |       |     |
| Liquid Valve             |                       | 3/8"                       | Suction Valve | 3/4"  |     |

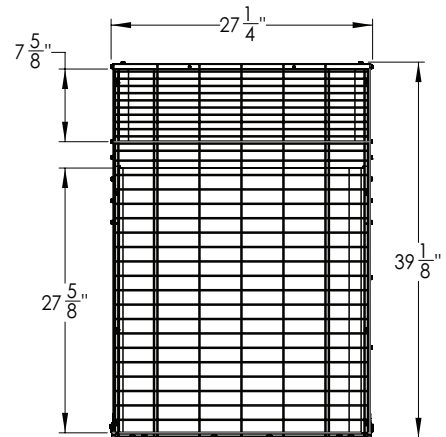


\*When matched with NAH4\*\*MF Air Handler

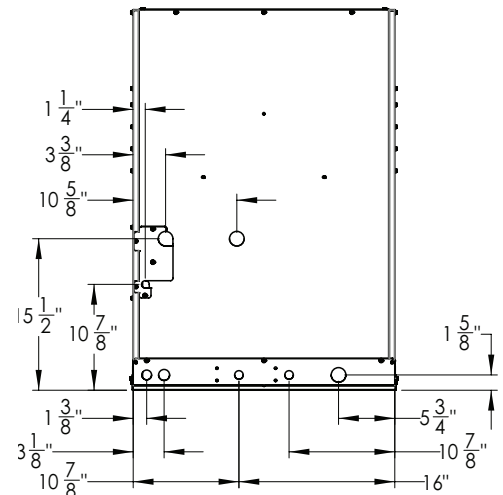
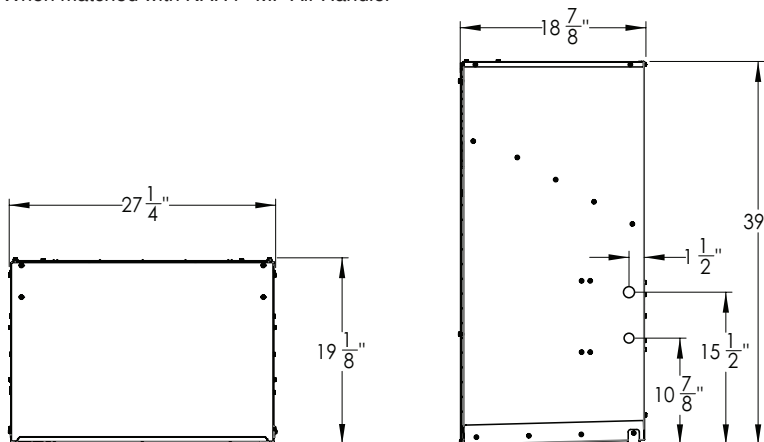


### 5000 Series w/ matches up to 14 SEER2\*

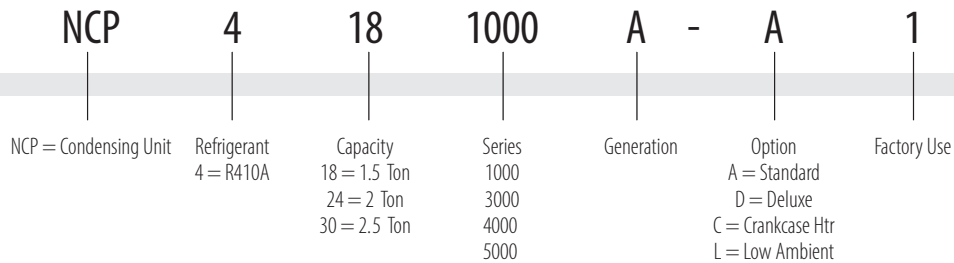
| All Units 208/230-1~60Hz |                       |                                  |                           |       |     |
|--------------------------|-----------------------|----------------------------------|---------------------------|-------|-----|
| Model                    | Shipping weight (lbs) | Compressor                       |                           | MCA   | MOP |
|                          |                       | RLA                              | LRA                       |       |     |
| NCP4185000A-**           | 170                   | 10.3                             | 45.7                      | 14.68 | 20  |
| NCP4245000A-**           | 185                   | 11.5                             | 59.5                      | 16.18 | 25  |
| NCP4305000A-**           | 190                   | 14.1                             | 67.9                      | 19.43 | 30  |
| Cond. Fan Motor Specs    |                       | 1/5 HP, 1650 RPM, 1.8 FLA        |                           |       |     |
| Condenser Coil Specs     |                       | 418                              | 4.59 ft² Face Area 16 FPI |       |     |
|                          |                       | 424/430                          | 4.59 ft² Face Area 14 FPI |       |     |
| Dimensions               |                       | 26 7/8 W" x 38 7/8 H x 18 1/2" D |                           |       |     |
| Liquid Valve             |                       | 3/8"                             | Suction Valve             | 3/4"  |     |



\*When matched with NAH4\*\*MF Air Handler



# Nomenclature 2023



| Matching Air Handlers |              |                         |                |                                     |       |   |
|-----------------------|--------------|-------------------------|----------------|-------------------------------------|-------|---|
| Outdoor Model         | Indoor Model | Rated EER2 <sup>1</sup> | Rated Capacity | Nominal Airflow <sup>2</sup> (SCFM) | SEER2 | Replaces  |
| <b>1000 Series</b>    |              |                         |                |                                     |       |   |
| NCP4181000A-**        | NAH424MFA-** | 11                      | 18000          | 600                                 | 12.5  | Bryant, Carrier, Day & Night, Dunham-Bush, Lennox, Magic Chef, Meyer, Payne, First Co., U.S. A/C (BB) |
| NCP4241000A-**        | NAH424MFA-** | 11                      | 22600          | 790                                 | 12.5  |   |
| NCP4301000A-**        | NAH430MFA-** |                         |                |                                     |       |   |
| <b>3000 Series</b>    |              |                         |                |                                     |       |   |
| NCP4183000A-**        | NAH424MFA-** | 11                      | 18000          | 600                                 | 13    | Carrier, Fedders, Dunham-Bush, Lennox, Magic Chef, Meyer, Rheem, First Co., U.S. A/C (AB)             |
| NCP4243000A-**        | NAH430MFA-** | 11                      | 23000          | 790                                 | 13    |   |
| NCP4303000A-**        | NAH430MFA-** |                         |                |                                     |       |   |
| <b>4000 Series</b>    |              |                         |                |                                     |       |   |
| NCP4184000A-**        | NAH424MFA-** | 11                      | 18000          | 600                                 | 12.5  | Dunham-Bush, Hydro-Therm Space Pack, Lennox, Luxaire York, First Co., U.S. A/C (CB)                   |
| NCP4244000A-**        | NAH430MFA-** | 11                      | 23000          | 790                                 | 12.5  |   |
| <b>5000 Series</b>    |              |                         |                |                                     |       |   |
| NCP4185000A-**        | NAH424MFA-** | 12                      | 18000          | 600                                 | 14    | First Co. (WMU)   |
| NCP4245000A-**        | NAH430MFA-** | 12                      | 24000          | 790                                 | 14    |   |
| NCP4305000A-**        | NAH430MFA-** | 11.5                    | 28400          | 950                                 | 13.5  |   |

| Matching Cased Coils |              |                         |                |                                     |       |
|----------------------|--------------|-------------------------|----------------|-------------------------------------|-------|
| Outdoor Model        | Indoor Model | Rated EER2 <sup>1</sup> | Rated Capacity | Nominal Airflow <sup>2</sup> (SCFM) | SEER2 |
| <b>1000 Series</b>   |              |                         |                |                                     |       |
| NCP4181000A-**       | NCC418AA-*   | 10.2                    | 18000          | 620                                 | 11.7  |
| NCP4241000A-**       | NCC424AA-*   | 10.5                    | 22600          | 820                                 | 11.7  |
| NCP4301000A-**       | NCC430AA-*   | 10.2                    | 26400          | 890                                 | 11.7  |
| <b>3000 Series</b>   |              |                         |                |                                     |       |
| NCP4183000A-**       | NCC418AA-*   | 10.2                    | 18000          | 620                                 | 11.7  |
| NCP4243000A-**       | NCC424AA-*   | 10.5                    | 22600          | 820                                 | 11.7  |
| NCP4243030A-**       | NCC430AA-*   | 10.2                    | 26800          | 890                                 | 11.7  |
| <b>4000 Series</b>   |              |                         |                |                                     |       |
| NCP4184000A-**       | NCC418AA-*   | 10.5                    | 18000          | 620                                 | 11.7  |
| NCP4244000A-**       | NCC424AA-*   | 10.5                    | 22600          | 820                                 | 11.7  |
| <b>5000 Series</b>   |              |                         |                |                                     |       |
| NCP4185000A-**       | NCC418AA-*   | 11                      | 18500          | 620                                 | 12    |
| NCP4245000A-**       | NCC424AA-*   | 11                      | 24000          | 820                                 | 12    |
| NCP4305000A-**       | NCC430AA-*   | 10.5                    | 28000          | 920                                 | 12    |



**National Comfort Products**  
 A Division of National Refrigeration and Air Conditioning Products, Inc.  
 539 Dunksferry Road • Bensalem, PA 19020-5908  
 (800) 523-7138 • Fax (215) 639-1674  
[www.NationalComfortProducts.com](http://www.NationalComfortProducts.com)

